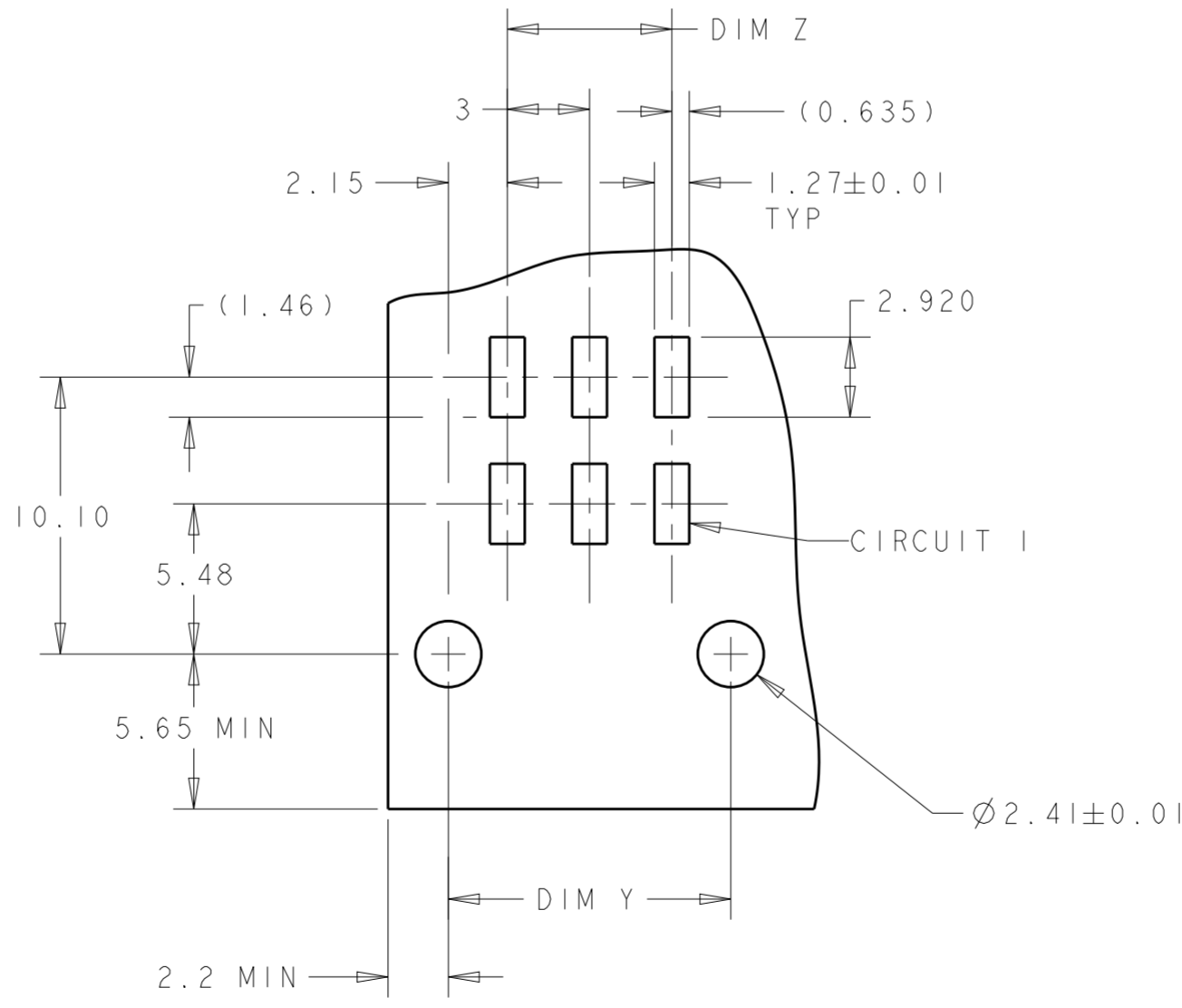
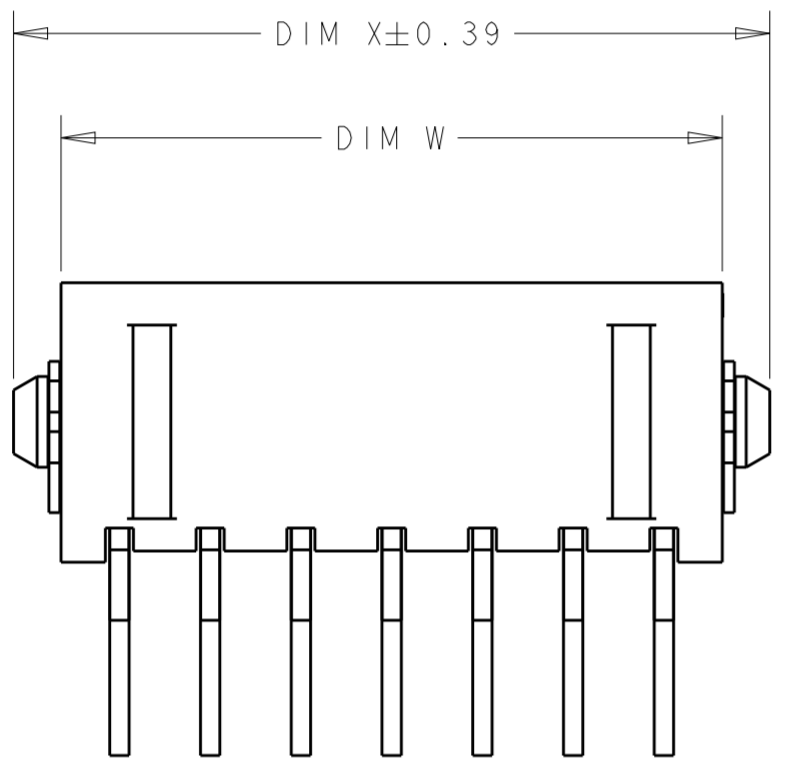
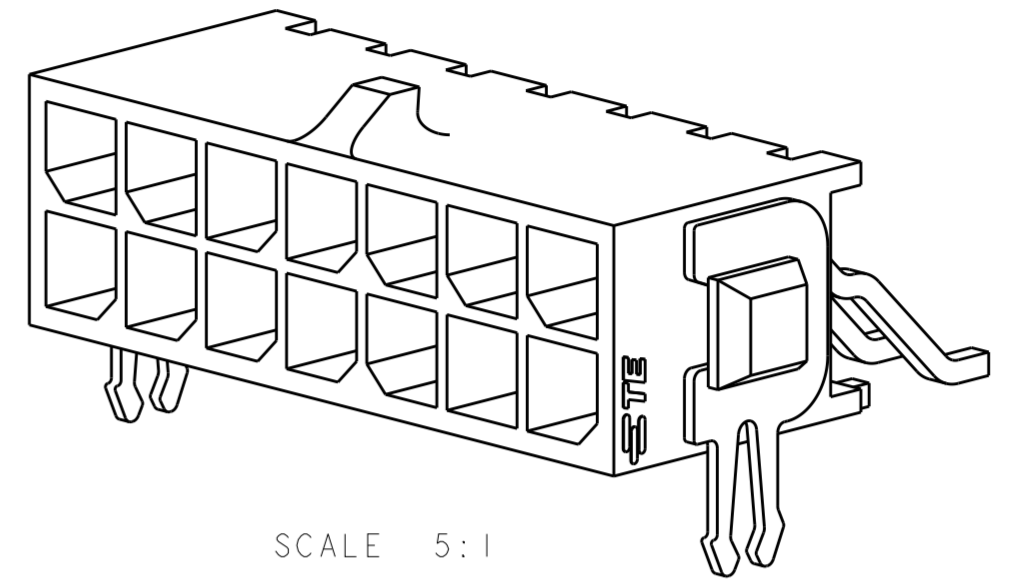
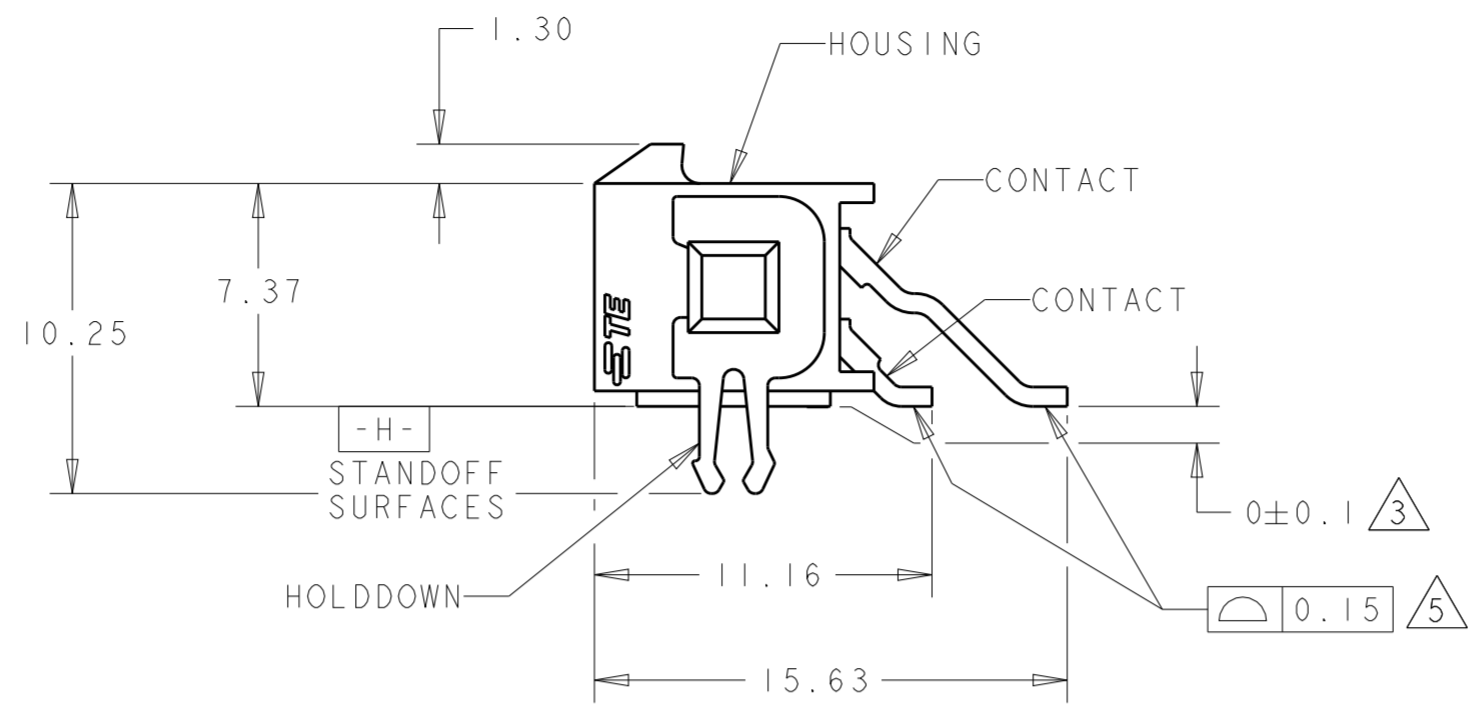
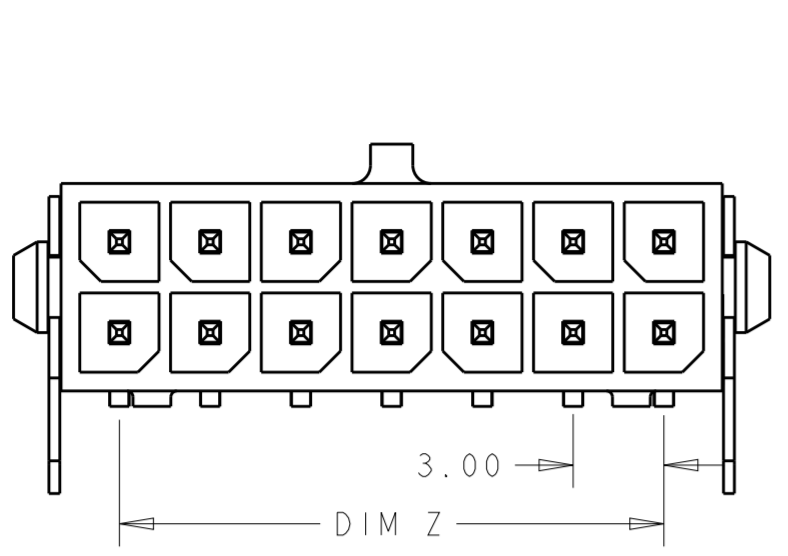


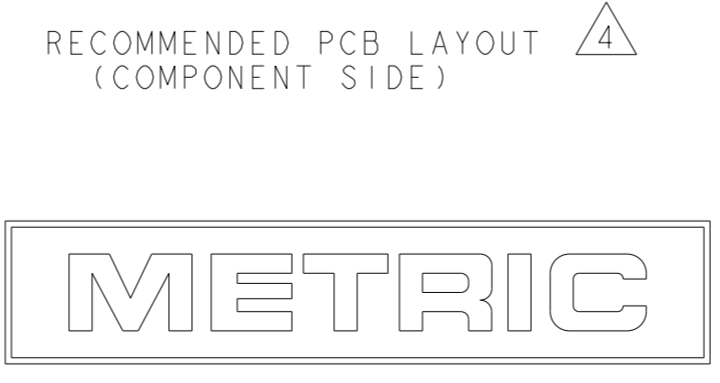
THIS DRAWING IS UNPUBLISHED. RELEASED FOR PUBLICATION 20  
 © COPYRIGHT 20 BY - ALL RIGHTS RESERVED.

REVISIONS					
P	LTR	DESCRIPTION	DATE	DWN	APVD
G		REVISED PER ECO-15-003291	27JULY15	SC	DZ



6	36.86	37.30	33.00	40.00	24	5-794625-4
6	33.86	34.30	30.00	37.00	22	5-794625-2
6	30.86	31.30	27.00	34.00	20	5-794625-0
6	27.86	28.30	24.00	31.00	18	4-794625-8
6	24.86	25.30	21.00	28.00	16	4-794625-6
6	21.86	22.30	18.00	25.00	14	4-794625-4
6	18.86	19.30	15.00	22.00	12	4-794625-2
6	15.86	16.30	12.00	19.00	10	4-794625-0
6	12.86	13.30	9.00	16.00	8	3-794625-8
6	9.86	10.30	6.00	13.00	6	3-794625-6
6	6.86	7.30	3.00	10.00	4	3-794625-4
6	3.86	4.30	-	7.00	2	3-794625-2
2	36.86	37.30	33.00	40.00	24	2-794625-4
2	33.86	34.30	30.00	37.00	22	2-794625-2
2	30.86	31.30	27.00	34.00	20	2-794625-0
2	27.86	28.30	24.00	31.00	18	1-794625-8
2	24.86	25.30	21.00	28.00	16	1-794625-6
2	21.86	22.30	18.00	25.00	14	1-794625-4
2	18.86	19.30	15.00	22.00	12	1-794625-2
2	15.86	16.30	12.00	19.00	10	1-794625-0
2	12.86	13.30	9.00	16.00	8	794625-8
2	9.86	10.30	6.00	13.00	6	794625-6
2	6.86	7.30	3.00	10.00	4	794625-4
2	3.86	4.30	-	7.00	2	794625-2
FINISH	DIM W	DIM Y	DIM Z	DIM X	NO. OF POSN.	PART NUMBER

- 1 MATERIAL;  
CONTACTS - BRASS.  
HOUSING - UL 94V-0 RATED HIGH TEMP NYLON,  
COLOR: BLACK.  
HOLDDOWNS - PHOSPHOR BRONZE.
- 2 PLATING;  
CONTACTS - 0.38µm MINIMUM GOLD OVER 2.54µm  
MINIMUM NICKEL ON MATING AREA.  
2.54µm TIN-LEAD MINIMUM OVER 2.54µm  
NICKEL MINIMUM ON SOLDER TAILS.  
HOLDDOWNS - 2.54µm TIN LEAD.
- 3 DIMENSION APPLIES TO SOLDER TAIL SURFACES  
AND STANDOFF SURFACES.
- 4 RECOMMENDED PC BOARD THICKNESS OF 1.57.
- 5 ALL SOLDER TAILS.
- 6 PLATING;  
CONTACTS - 0.38µm MINIMUM GOLD OVER 2.54µm  
MINIMUM NICKEL ON MATING AREA.  
2.54µm MATTE TIN MINIMUM OVER 2.54µm  
NICKEL MINIMUM ON SOLDER TAILS.  
HOLDDOWNS - 2.54µm MATTE TIN.



THIS DRAWING IS A CONTROLLED DOCUMENT.

DIMENSIONS: mm	TOLERANCES UNLESS OTHERWISE SPECIFIED: 0 PLC ± 1 PLC ± 2 PLC ±0.13 3 PLC ± 4 PLC ± ANGLES ± FINISH	DWN K. WHITAKER 19MAR2003 CHK C. JONES 19MAR2003 APVD C. JONES 19MAR2003	TE Connectivity	
MATERIAL	SEE TABLE	PRODUCT SPEC	NAME SURFACE MOUNT, RIGHT ANGLE, MECHANICAL HOLDDOWN, ASSEMBLY, 15 GOLD HEADER DUAL ROW, MICRO MATE-N-LOK™	
		APPLICATION SPEC	SIZE A2	RESTRICTED TO
		WEIGHT	CAGE CODE -	DRAWING NO. C-794625
		CUSTOMER DRAWING	SCALE 4:1	SHEET 1 OF 1 REV G